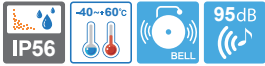


# SBE series

## Explosion Proof Alarm Bell



### SBE130/ SBE150 Max 95dB Explosion Proof Alarm Bell

- Explosion proof alarm bell for audible signal in dangerous area
- Adopts special solenoid bell structure, suitable in vessels which encounter serious vibration and impact or outdoor plants application
- Fully enclosed structure with protection rating of IP56
- Sound volume : Max 95dB at 1m
- Standard housing color : MUNSELL No. 7.5BG 7/2
- Cable entry : 1/2" NPT
- Materials : Housing-AI, Bell-AI
- Certificates : KIMM
- Protection rating: Ex d IIC T6, IP56
- Ambient operating temperature :  $-40^{\circ}\text{C} \leq T_{\text{amb}} \leq +60^{\circ}\text{C}$



**SBE130**



#### Specifications

Model number	Frequency	Volume	Bell diameter	Voltage	Current	Certificate	Weight
SBE130	400Hz	95dB	120mm	DC24V	0.044A		2.27kg
SBE150	600Hz		150mm	AC110V	0.044A		2.52kg
				AC220V	0.022A		



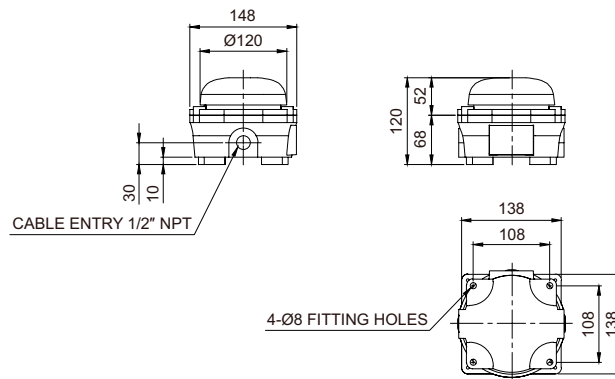
#### Technical Diagram

(Units : mm)

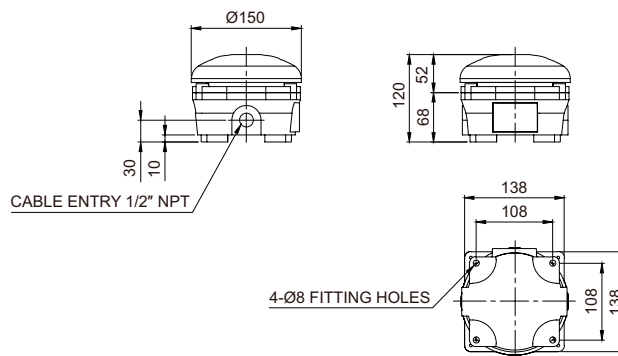


**SBE150**

SBE 130



SBE 150



#### Customization

- Built-in explosion proof cable gland type
- 2 way cable entries
- Customized cable entry (3/4" NPT, M20×1.5, M25×1.5) available



#### Ordering Specification

SBE130	-	220
[Model number]		[Voltage]
<ul style="list-style-type: none"> <li>• SBE130</li> <li>• SBE150</li> </ul>		<ul style="list-style-type: none"> <li>• 24-DC24V</li> <li>• 110-AC110V</li> <li>• 220-AC220V</li> </ul>